

Innovation

Rotary Multi-Station Assembly Solutions

Case Study #006



*Carousel style multi-station
assembly equipment*

*Specifications:
Ideal for smaller assemblies
Simple controls
Interlocked safety controls
for any motion
Easy start-up and recovery*



Flexible and adaptable design

Featured Design:

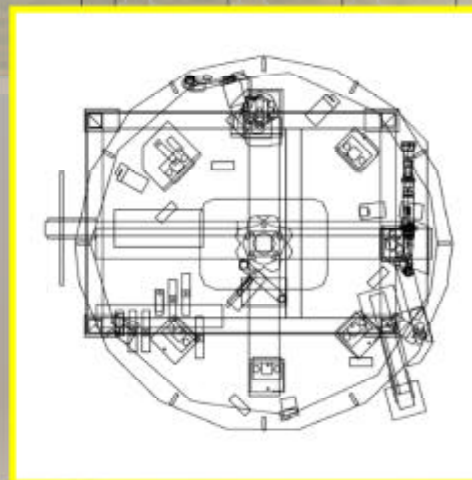
*These flexible fixtures can be as simple
or complex as your needs.*

*Assembly stations can be manual, air-logic
or electric/PLC driven.*

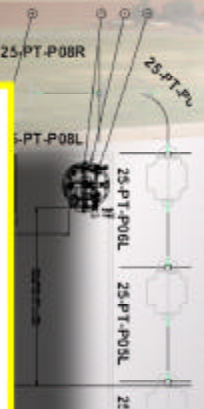
*Equipment is designed to your needs and
specifications. It can be customized to any
number of stations.*

*Can handle build up of assemblies or assemble
multiples of the same part simultaneously*

*Stand alone tools or integrated with other plant
equipment to improve product flow and
through-put*



*Assembly equipment designed to
customer specifications*



Website: www.hticyber.com

Division of Hi-Tech Tool Industries, Inc

HTI *Cybernetics*
Manufacturing Solutions

ISO 9002:2000 Certified

6701 Center Drive
Sterling Heights, Michigan 48312
Phone: (586) 826-8346
Fax: (586) 826-9781
E-mail: sales@hticyber.com