

# *Innovation*

# Assembly Systems

Case Study #002



*Carousel style multi-station assembly equipment*

**Specifications:**  
*Ideal for smaller assemblies  
Simple controls  
Interlocked safety controls for any motion  
Easy start-up procedures*



*Auto-locate and manual assembly tooling*

**Featured Designs:**

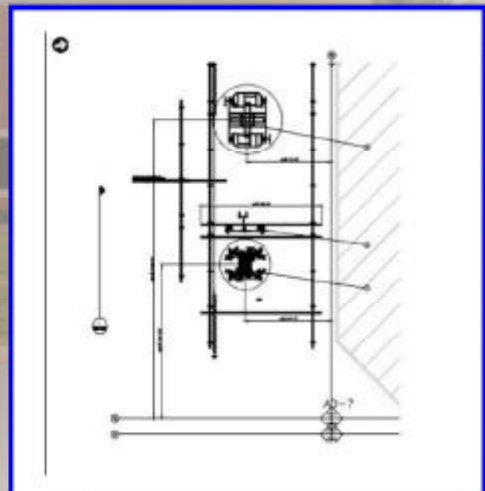
*These unique fixtures can be as simple or complex as your needs.*

*Assembly stations can be manual, air-logics or electric/PLC driven.*

*Equipment can be designed with fixed or adjustable load heights and integrated with other plant equipment*



*Error proofed assembly stations*



*Assembly equipment integrated with existing plant systems*

Website: [www.hticyber.com](http://www.hticyber.com)

Division of Hi-Tech Tool Industries, Inc

**HTI** *Cybernetics*  
Manufacturing Solutions

ISO 9002:2000 Certified

6701 Center Drive  
Sterling Heights, Michigan 48312  
Phone: (586) 826-8346  
Fax: (586) 826-9781  
E-mail: [sales@hticyber.com](mailto:sales@hticyber.com)